



NEW PRODUCT

and even more light!



AWISlide

LIFT & SLIDE DOORS

AWISlide

NEW GENERATION OF ALUMINIUM LIFT AND SLIDE DOORS THAT PRESENT INCREDIBLE TECHNICAL PARAMETERS

WHAT MAKES OUR NEW SYSTEM SPECIAL?

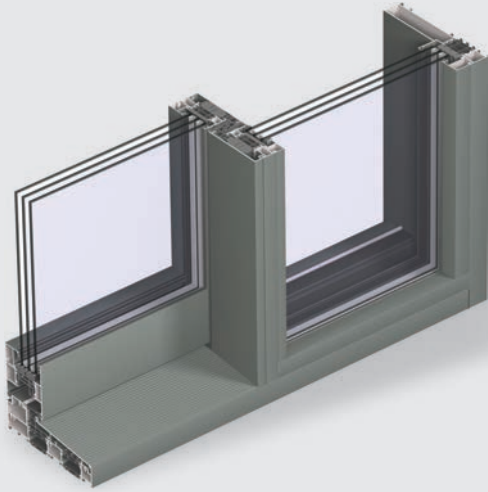
- Incredible thermal insulation,
- Height up to 3600 mm with structural reinforcements,
- Longer warranty - 10 years for profiles,
- Stylish, modern, esthetic look
- Reduced amount of visible aluminium profiles,
- Maximum light transmittance,
- Flush threshold with AWISlide Panoramic solution,
- Thin posts 50 mm as a standard
- Possible to match the paint finish with other ALU elements that we offer,
- 180 mm deep,
- Panoramic solution with outside glazed fixed part.

TECHNICAL PARAMETERS FOR A 4000X2450 MM DOOR

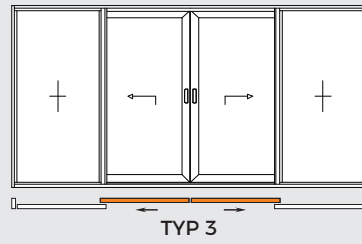
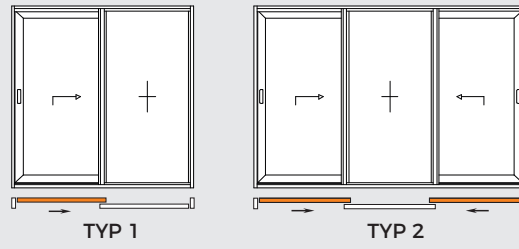
SYSTEM	TERMIKA	UW
AWISlide A 180	standard	0,94
AWISlide A 180 Panoramic	standard	0,81
AWISlide A 180 HI	insulated	0,85
AWISlide A 180 HI Panoramic	insulated	0,77

AWISLIDE DOOR TYPES OFFERED BY AWILUX

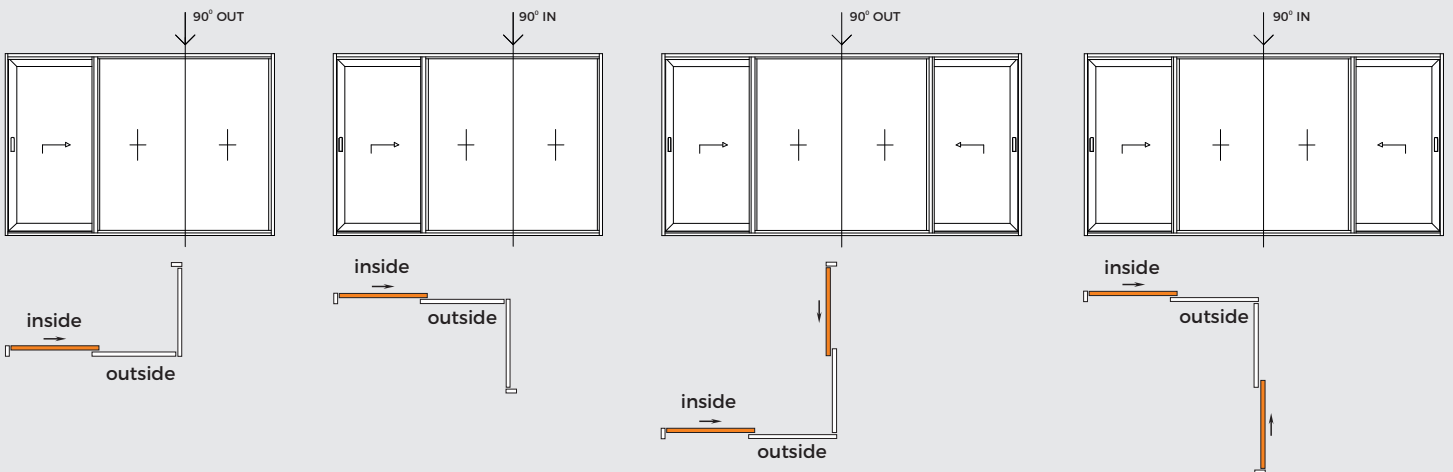
AWISlide A 180 Panoramic



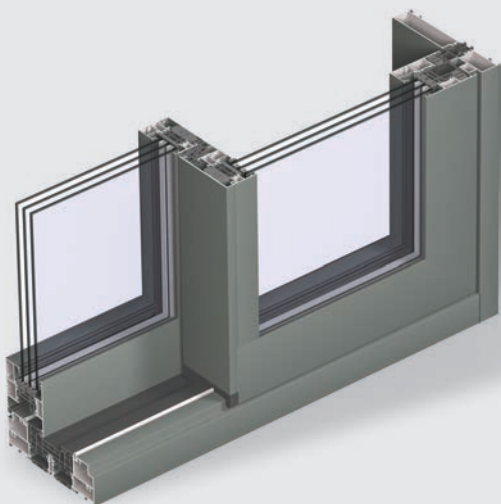
DOOR TYPES:



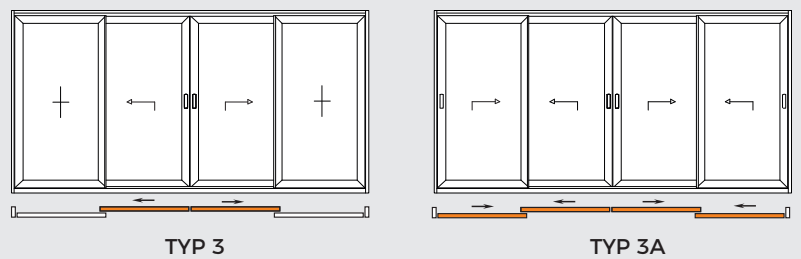
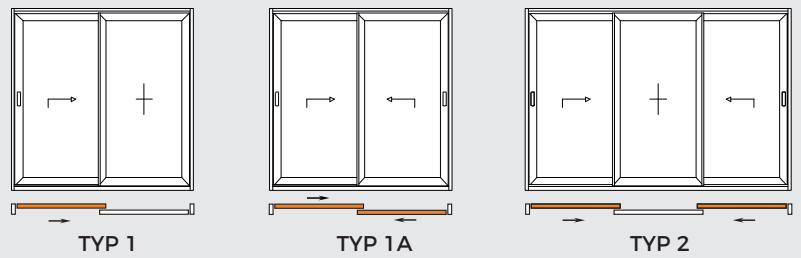
Corner glazing solutions:



AWISlide A 180

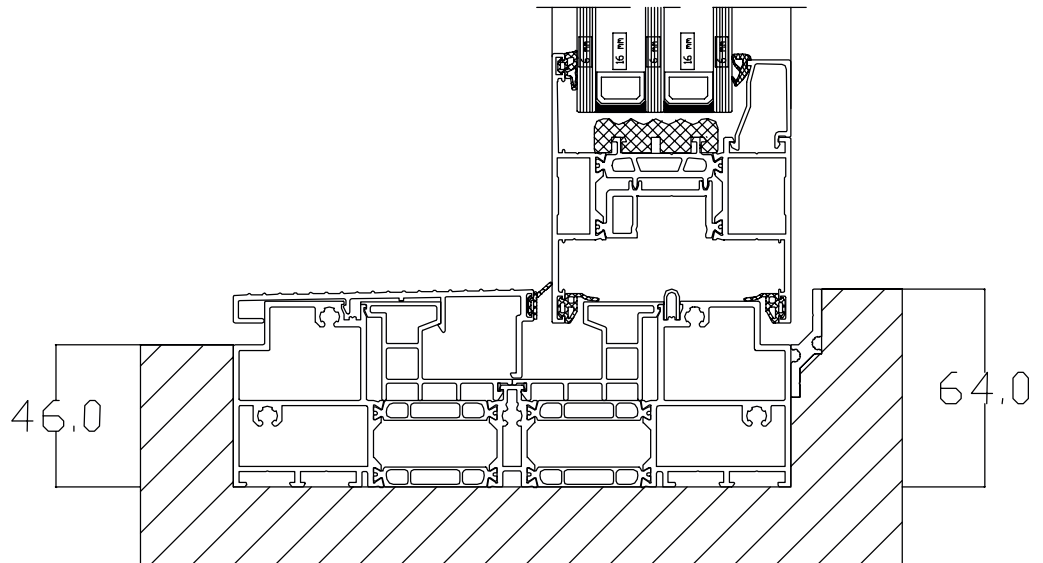


DOOR TYPES:

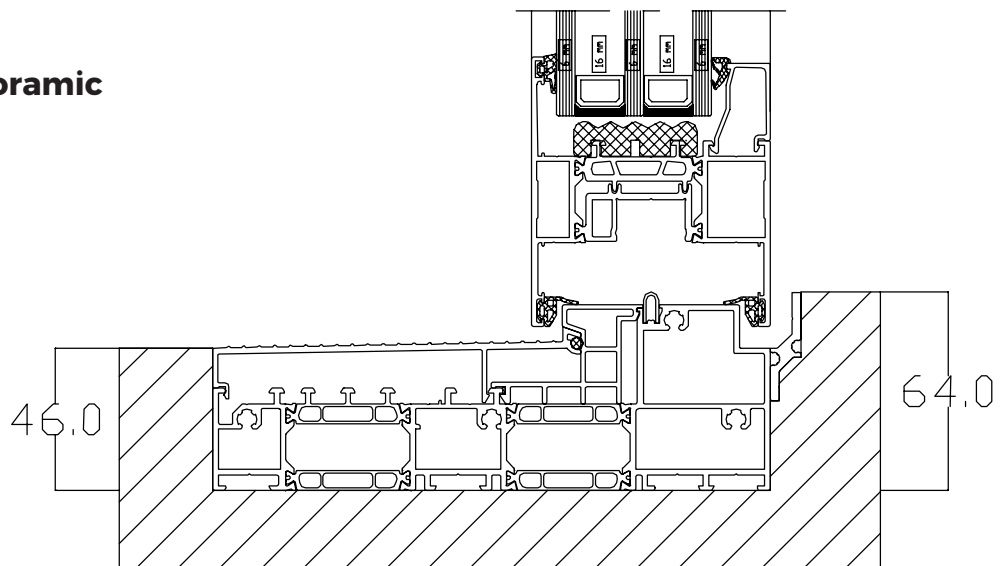


HIDDEN THRESHOLD POSSIBILITIES

AWISlide A 180 HI



AWISlide A 180 HI Panoramic



Detailed guidelines included
in the Montage Solutions file.